

TherAdapt® Products Inc.

(800) 261-4919 phone (866) 892-2478 fax

www.theradapt.com

Adjustable Positioning Chair

Please read all of the following information before using this product.

TherAdapt® Products Inc. has designed and manufactured this product with the well being of the user and caregiver(s) in mind. It is our endeavor to provide products which are attractive, comfortable, useful, highly adjustable, long lasting and safe. As when using any product, precautions must be taken.



WARNING: This product must only be used under the recommendation of a physician and / or licensed therapist and with adult supervision. Never leave user unattended. It is your responsibility to properly use and maintain your Adjustable Positioning Chair. Failure to follow USE and CARE instructions or ASSEMBLE the chair properly as outlined may result in bodily injury.

THE MANUFACTURER IS NOT RESPONSIBLE FOR INJURIES RESULTING FROM ANY CUSTOMIZATION OR MODIFICATION OF THE EQUIPMENT THAT WAS NOT COMPLETED BY THE MANUFACTURER.

USE: The Adjustable Positioning Chair is designed for a single purpose: as a freestanding chair. It is to be used on the floor only. **No other use is permitted**, including, but not limited to a seat used for transportation in an automobile, stroller, or any other mobility device. Extreme caution must be used when using the Adjustable Positioning Chair in conjunction with a TherAdapt® Mobile Base.

CARE: Take care to inspect the ongoing condition of all parts of your Adjustable Positioning Chair. Verify that all knobs, bolts, and washers are properly positioned and secure. Contact the manufacturer for replacement or repair of necessary items. All components may be cleaned with mild soap and water, or a gentle sanitizing spray. **Do not** use abrasive cleaners. Wipe wood components dry after cleaning. Excess amounts of liquid on the wood may damage the finish. Always store indoors.

WARRANTY: The manufacturer provides a full one (1) year warranty, beginning the date shipped by the manufacturer. The warranty provides full replacement of all parts against breakage when used in compliance with the manufacturer's USE and CARE instructions. Use or modification beyond the normal capacity or range of adaptability designed into the products will void the warranty. The foregoing is TherAdapt's sole liability for consequential damages.

PLEASE COMPLETE AND RETAIN FOR YOUR RECORDS

Adjustable Positioning Chair APC-_____ **Serial Number:** _____

Purchase date: _____

TherAdapt Adjustable Positioning Chair (APC-100/200/300) Instructions

Packing List:

- (1) Basic chair with adjustable seat
- (1) 1" wide pelvic strap with (1) side release buckle and (2) double slotted rings
- (1) Abduction pommel with ¼ -20 hanger bolt
- (2) U-shaped sidepieces with holes, slots, and (4) ¼ - 20 T-nuts
- (4) Large knobs with 1 ¼" ¼ -20 stem bolt
- (4) 1 ¾" ¼ -20 hex head bolts
- (5) Thru-knobs with ¼ -20 threaded inserts
- (9) Nylon washers

The basic Adjustable Positioning Chair comes pre-assembled but it should be adjusted properly to the individual user to provide a customized fit.



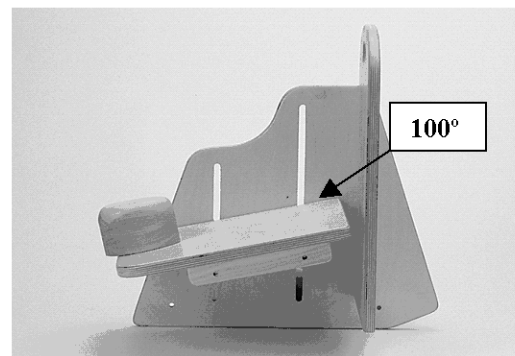
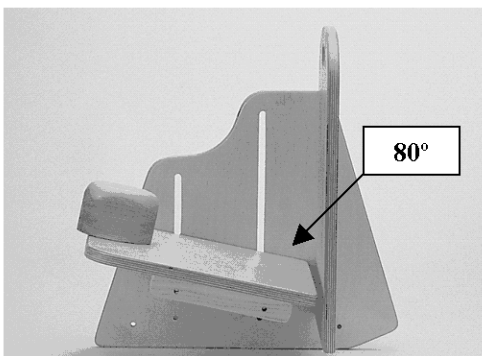
1. Adjust the seat height and angle.

- A. Position the seat in the chair so that the bend of the elbow is level with the cut out on the side of the chair. Loosen the (2) rear seat knobs with stem bolts and loosen (APC-100) or remove (APC-200/300) the (2) front seat knobs with stem bolts and nylon washers. Place the seat in the desired position. Replace the knobs and washers. **Tighten securely before use.**

Adjust the chair height on the U-shaped side frames so the feet are flat on the floor.

- Remove the (4) knobs with threaded inserts and the nylon washers from the U-shaped frame.
- Remove the (4) hex bolts and reposition into the desired pair of rear holes and front slots.
- Replace nylon washers and knobs. **Tighten securely.**

B. The seat angle can be adjusted by loosening the (2) rear knobs with stem bolt. Raise or lower the back of the seat using the rear slot and **re-tighten the knobs securely.**



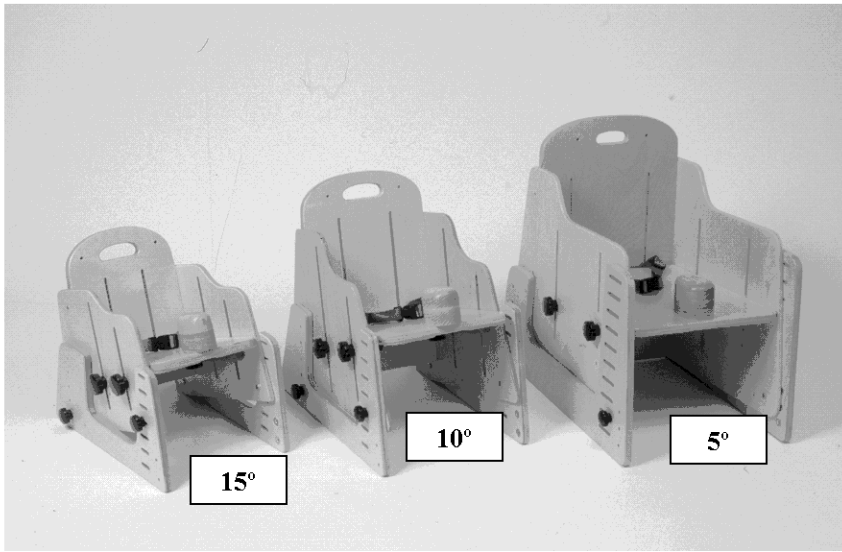
2. Adjust the angle in space. The U-shaped side frame allows the chair to be angled back in space 5°, 10°, or 15°. Remove the (4) knobs with threaded inserts and (4) nylon washers from the U-shaped side frame.

A. To create a 5° tilt, place the front bolt (1) slot higher than the rear hole.

B. To create a 10° tilt, place the front bolt (2) slots higher than the rear hole.

C. To create a 15° tilt, place the front bolt (3) slots higher than the rear hole.

Replace all washers and knobs.
Tighten securely before using.



3. Adjust the pelvic positioning belt.

The 1" adjustable pelvic belt with side release buckle should be positioned in the notch created by the bend of the lap between the thigh and the pelvis, and tightened snugly. **Note:** The double slotted rings on each side of the pelvic strap have the loose ends of the strap threaded back through. This prevents the strap from slipping, makes the belt completely adjustable and allows the belt to snap closed at any location.

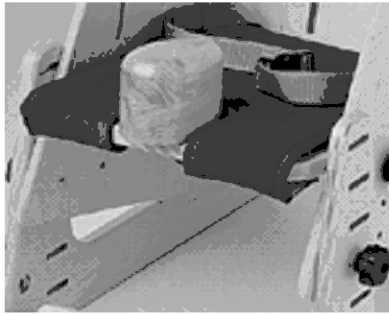
4. Adjust the pommel.

Position the pommel to fit the last third of the thigh by loosening the knob under the front of the seat and sliding it in the slot. Re-tighten the knob securely. **Note:** This is not a pelvic stabilizer!

5. Attach chair accessories / options purchased and follow instructions. Accessory / option placement may affect previous adjustments. Re-assess steps 1 - 4 to ensure a proper fit.

FOR PROFESSIONAL ASSISTANCE CALL 1-800-261-4919

TherAdapt Adjustable Positioning Chair Options- Instructions



**1. Secure the Padded Seat Pad with suede Naugahyde® .
(APC-100P, APC-200P, APC-300P)**

Remove the (3) self-adhering strips of loop fastener from the pad. Adhere the loop fastener to the bottom of the seat. Position the pad on the seat with the tabs under the seat and secure the hook and loop.

**2. Attach the adjustable Footplate.
(APC-100FP, APC-200FP, APC-300FP)**

Packing List:

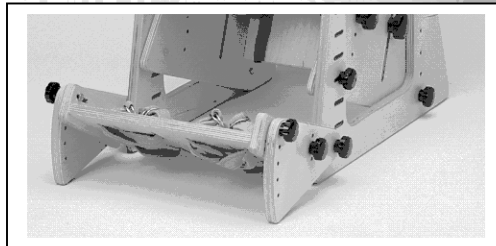
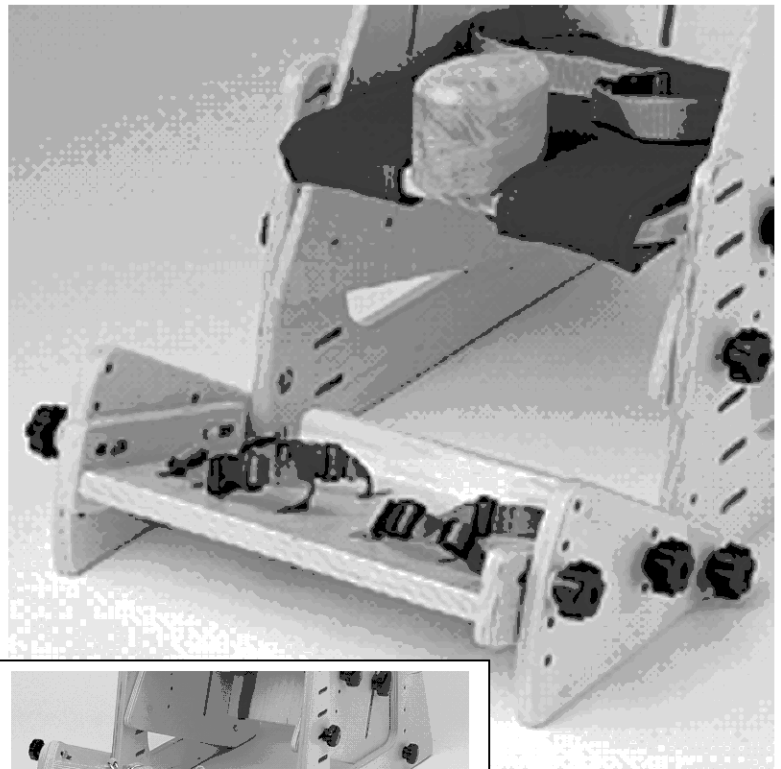
- (1) Footplate with rear heel stop
- (4) Foot straps with (4) side release buckles and (8) double slotted rings
- (2) Triangle sidepieces
- (2) Knobs with 1 ¼" ¼ -20 stem bolt
- (4) 1 ¾" ¼ -20 hex head bolts
- (4) Thru-knobs with ¼ -20 threaded inserts
- (6) Nylon washers

A. Attach the triangle side pieces to the U-shaped side frame of the chair with the (2) knobs with 1 ¼" stem bolts into the desired pair of T-nuts. Place a nylon washer between the knob and the wood.
Note: The top pair of T-nuts allows the Footplate to be positioned higher, for the smaller user.

B. Attach the Footplate to the triangle side pieces with the (4) 1 ¾" hex bolts and knobs with threaded inserts. Place a nylon washer between the wood and the knob.

C. Adjust the depth and angle of the Footplate by selecting the appropriate set of rear and front holes and sliding the Footplate forward / backward in the slots.

D. Arrange and adjust the foot straps as needed.



3. Attach the Armrests.
(APC-100AR, APC-200AR, APC-300AR)

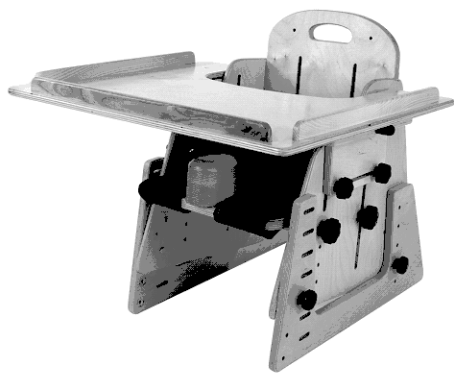
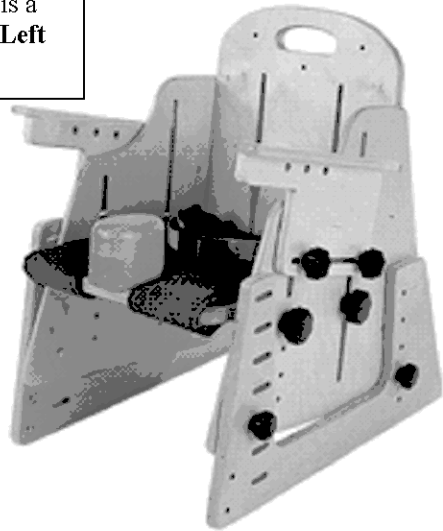
Packing list:

- (2) Armrests
- (4) 1 3/4" 5/16 –18 carriage bolts
- (4) Thru-knobs with 5/16 –18 threaded inserts
- (4) Nylon washers

A. Insert (2) carriage bolts through the side slots on the chair. Attach the Armrest to the **outside** of the chair and secure with knobs. Place a washer between the wood and the knob. Repeat for other Armrest.

B. Adjust to desired height and depth.
Tighten all knobs securely before using.

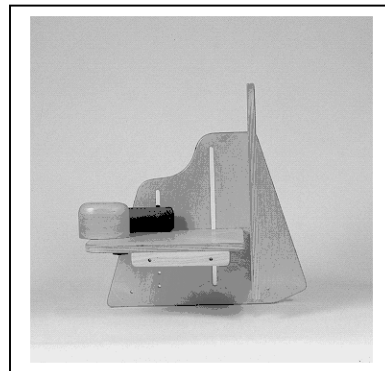
Note: There is a **Right** and a **Left** armrest.



4. Attach the Tray.

(APC-100T, APC-200T, APC-300T)

Pull the quick release spring lock pins. Slide the Tray onto the armrests and release the spring lock pins into one of the three sets of holes on the armrests.



5. Attach the Adduction Pads.
(APC-100AP, APC-200AP, APC-300AP)

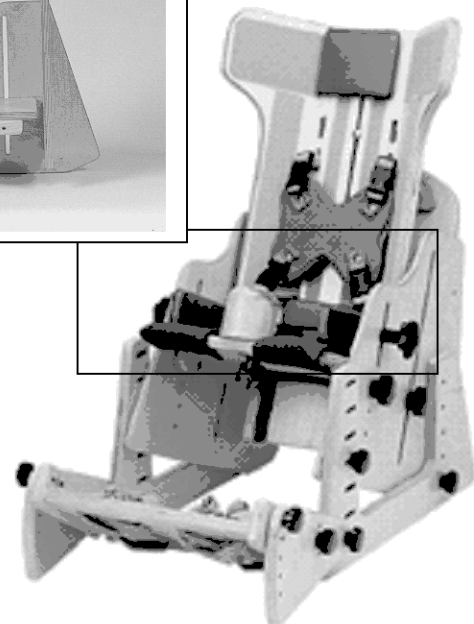
Packing List:

- (2) Adduction Pads with (1) 1/4 -20 bolt each
- (4) 7/16" 1/4 -20 nuts
- (4) Metal washers
- (2) "Flower" knobs with 1/4 -20 threaded inserts

A. Attach (1) nut and (1) metal washer on the bolt. Place the bolt through the front slot on the side of the chair. Secure with the "flower" knob.

B. Adjust the placement of the pad by moving the nut / washer assembly along the bolt.

Tighten knobs securely before using.



Reminder: The Adduction Pads should be used on the Adjustable Positioning Chair in conjunction with the *TherAdapt*[®] Winged Back Insert or the *TherAdapt*[®] Corner Back Insert.

6. Attach the Side Pads.

(APC-102/4SP, APC-202/4SP, APC-303/5SP)

Packing List:

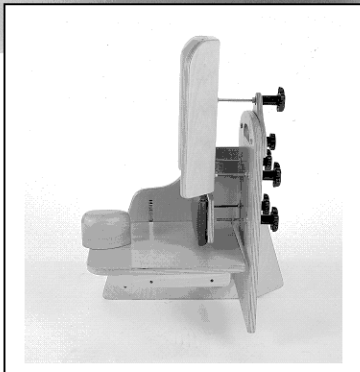
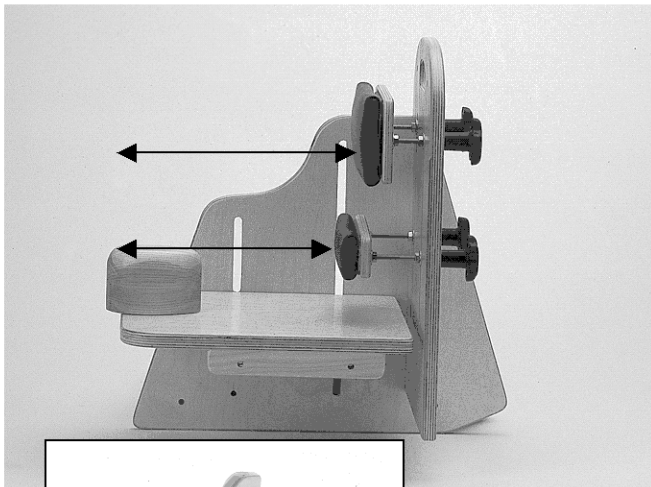
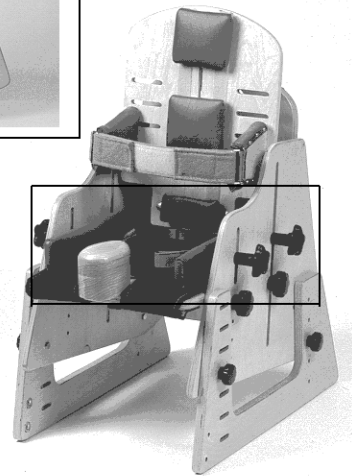
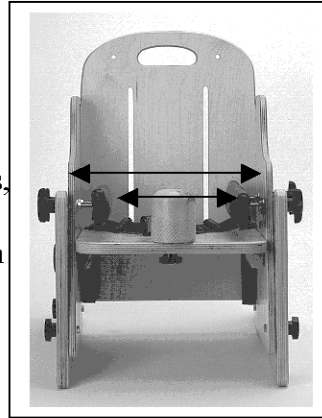
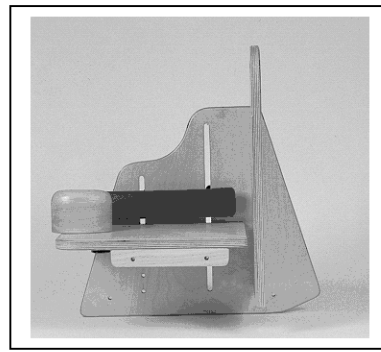
- (2) Side Pads with (2) ¼ -20 bolts each
- (8) 7/16" ¼ -20 nuts
- (8) Metal washers
- (4) "Flower" knobs with ¼ -20 threaded inserts

A. Attach (1) nut and (1) metal washer on each of the bolts. Place the bolts through the slots on the side of the chair. Secure with the "flower" knobs.

B. Adjust the placement of the pad by moving the nut / washer assembly along the bolts.
Tighten knobs securely before using.

C. If using Side Pads in conjunction with Armrests, feed the Side Pad bolts through the chair slots, then through the Armrests, finally securing with the knobs from the Side Pads.

Reminder: The Side Pads should be used on the Adjustable Positioning Chair in conjunction with the *TherAdapt*[®] Flat Back Insert, the *TherAdapt*[®] Low Back Insert, or the *TherAdapt*[®] Back Pads.



7. Attach the Back Pad(s)

(APC-102/4BP, APC-202/4BP, APC-303/5BP)

Packing List:

- (1) Back Pad with (2) ¼ -20 bolts
- (4) 7/16" ¼ -20 nuts
- (4) Metal washers
- (2) "Flower" knobs with ¼ -20 inserts

A. Attach (1) nut and (1) metal washer on each of the bolts. Place the bolts through the back of the chair. Secure with "flower" knobs.

B. Adjust the placement of the pad by moving the nut/washer assembly along the bolts.
Tighten knobs securely before using.

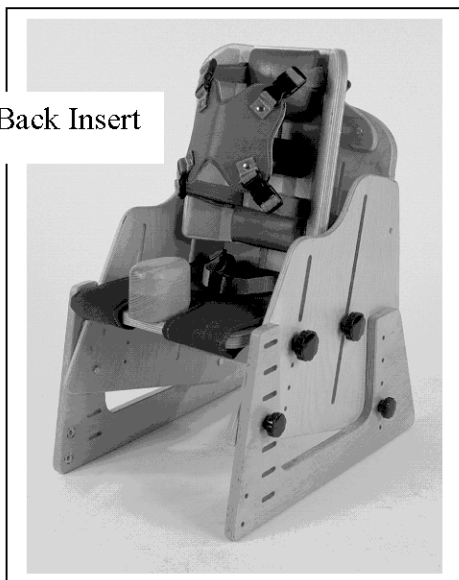
Reminder: The Back Pads can be used on the Adjustable Positioning Chair in conjunction with the *TherAdapt*[®] Corner Back Insert, the *TherAdapt*[®] Low Back Insert, the *TherAdapt*[®] Flat Back Insert, or the *TherAdapt*[®] Winged Back Insert. As the height of any insert is adjusted up away from the chair seat the Back Pad (s) can be used to fill the space created.

FOR PROFESSIONAL ASSISTANCE CALL 1-800-261-4919

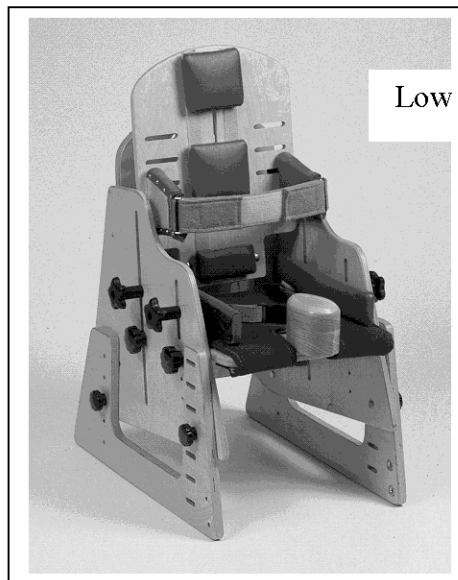
TherAdapt Adjustable Positioning Chair Accessory Information

Note: The slots in the back of the **Adjustable Positioning Chair** allow the ***TherAdapt***[®] **Corner Back Insert**, **Low Back Insert**, **Flat Back Insert**, and **Winged Back Insert** to interface with the chair providing head and / or trunk support as needed. Instructions for assembly and fit of these chair accessories are included with the insert.

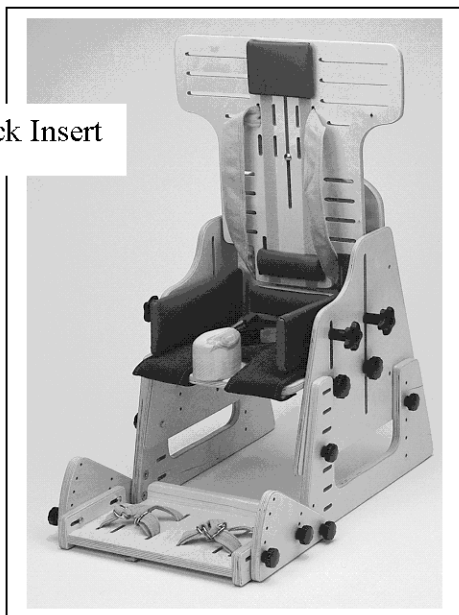
Corner Back Insert



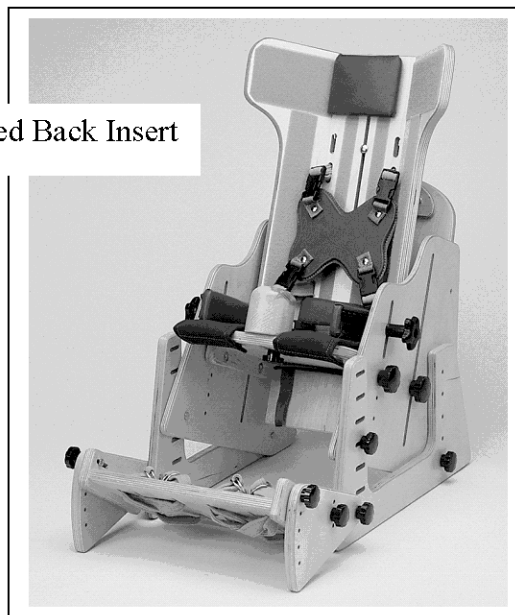
Low Back Insert



Flat Back Insert



Winged Back Insert

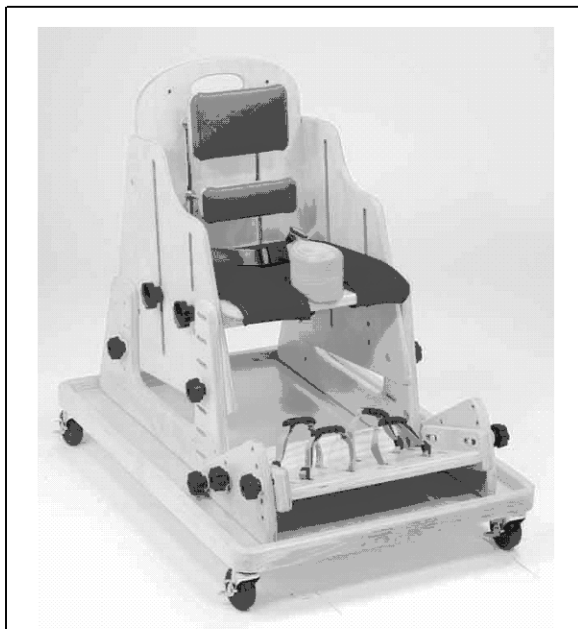


Use of the **Mobile Base** allows the chair to be moved safely about the home, clinic or classroom. **Caution** must be exercised when doing this and the casters should be locked immediately upon arrival at the new location.

For **APC-100** use **MB-A**

For **APC-200** use **MB-B**

For **APC-300** use **MB-C**



Note: The Adjustable Positioning Chair fits best on the Mobile Base when the Foot Plate is used.

FOR PROFESSIONAL ASSISTANCE CALL 1-800-261-4919